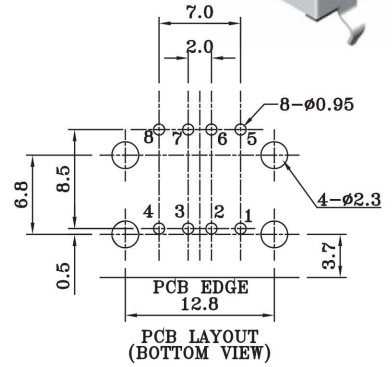
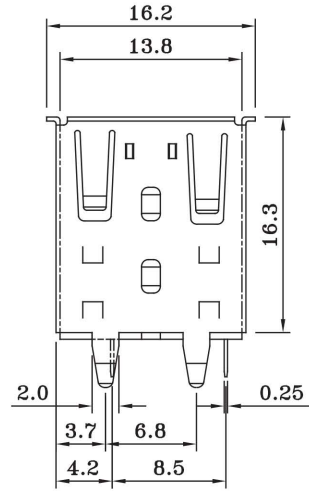
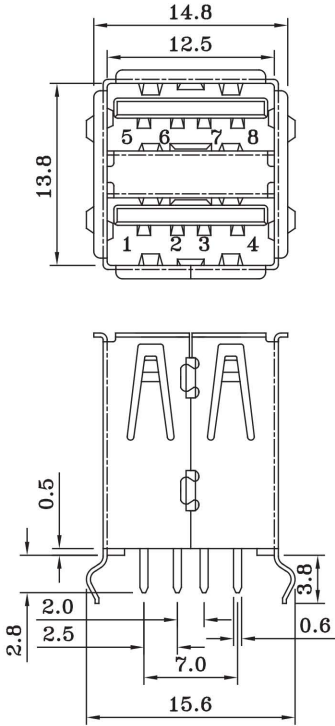


USB Female 2 Ports Dip 180°A Type



Part No.: USB-002K-A1 -L

B:Black W:White

No.	Name	Q'ty	Material	Remarks & Thickness	Finish
1	Housing	1	PBT G.F.		White/Black
2	Pin Term.	8	Copper Alloy T:0.25	Ni:1~5u ; Tin:3u- Gold:1~3u*	Gold/Tin Plated
3	Shell	1	Brass T:0.3	Ni:2~3u	Nickel Plated
4	Shell	1	Brass T:0.3	Ni:2~3u	Nickel Plated
5	Spacer	2	PC		Natural

