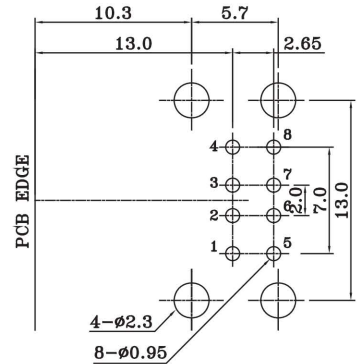
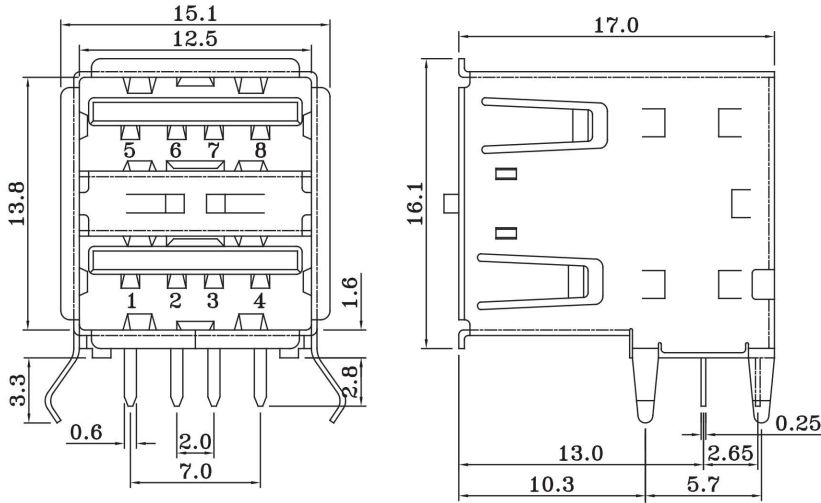


USB Female 2 Ports A Type



No.	Name	Q'ty	Material	Remarks & Thickness	Finish
1	Housing	1	PBT G.F.		White/Black
2	Pin Term.	8	Copper Alloy T:0.25	NI:1~5u ; Tin:3u. Gold:1~3u*	Gold/Tin Plated
3	Shell	1	Brass T=0.3	NI:2~3u	Tin Plated
4	Shell	1	Brass T=0.3	NI:2~3u	Tin Plated
5	Shell	1	Spcc,0.3		Nickel Plated

Part No.: **USB-002-A** **-L**

B:Black W:White