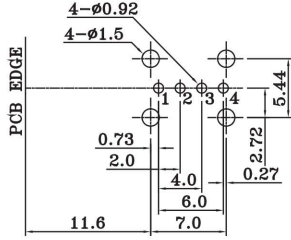
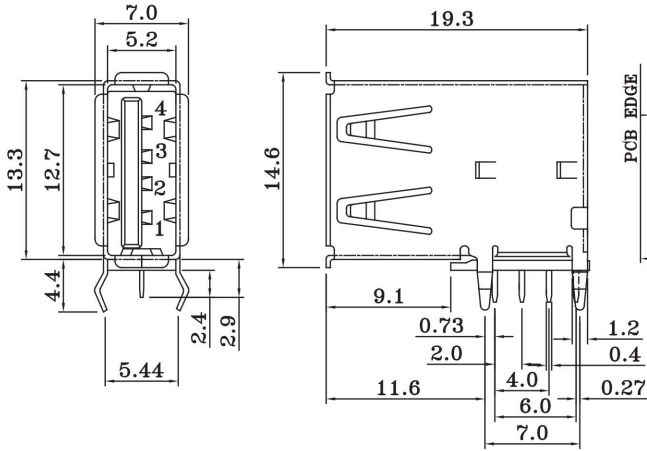


# USB Female Dip Upright A Type



Part No.: USB-001V-A  -L

B:Black W:White

No.	Name	Q'ty	Material	Remarks & Thickness	Finish
1	Housing	1	PBT G.F.		White/Black
2	Pin Term.	4	Copper Alloy T:0.25	NI:1-1.5u; Tin:3u. Gold:1-3u"	Gold/Tin Plated
3	Shell	1	Brass T:0.3	NI:2-3u	Nickel Plated
4	Shell	1	Spcc T:0.3	NI:2-3u	Nickel Plated
5	Bottom Cover	1	PBT G.F.		White