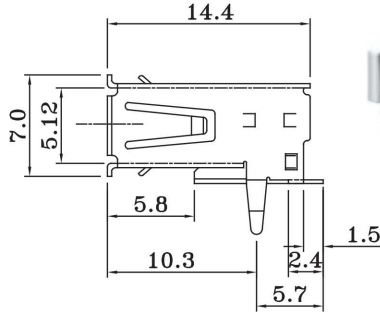
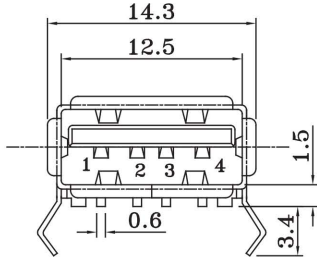
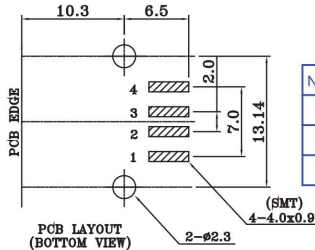


# USB Female SMT 90° A Type



Part No.: USB-001H-A  -U

B:Black W:White



No.	Name	Q'ty	Material	Remarks & Thickness	Finish
1	Housing	1	Nylon 9T G.F.		White/Black
2	Pin Term.	4	Copper Alloy T:0.25	Ni:1~1.5u;Tin:3u. Gold:1~3u"	Gold/Tin Plated
3	Shell	1	Brass T:0.3	Ni:2~3u	Nickel Plated