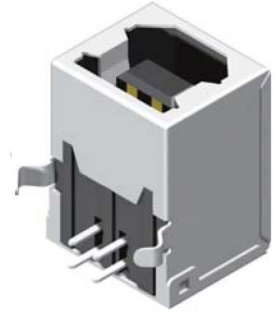
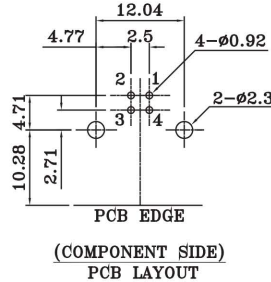
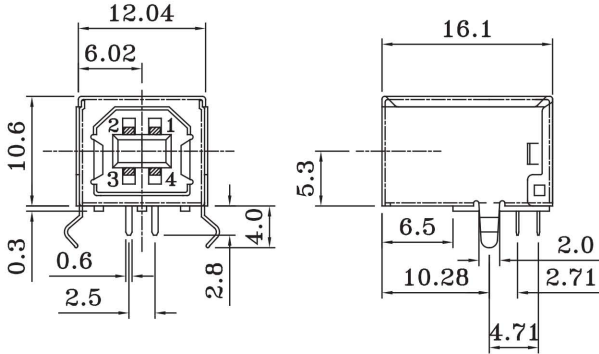


# USB Female Dip 90° B Type



Part No.: USB-001-B  -L

B:Black W:White

| No. | Name      | Q'ty | Material            | Remarks & Thickness               | Finish          |
|-----|-----------|------|---------------------|-----------------------------------|-----------------|
| 1   | Housing   | 1    | PBT G.F.            |                                   | White/Black     |
| 2   | Pin Term. | 4    | Copper Alloy T:0.25 | Ni:1~1.5u ; Tin:3u.<br>Gold:1~3u* | Gold/Tin Plated |
| 3   | Shell     | 1    | Brass T:0.3         | Ni:2~3u                           | Nickel Plated   |

**SoniTexx**®