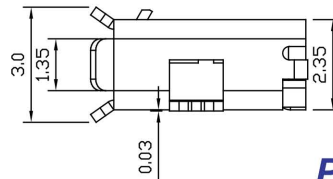
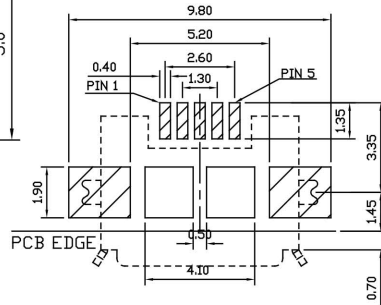
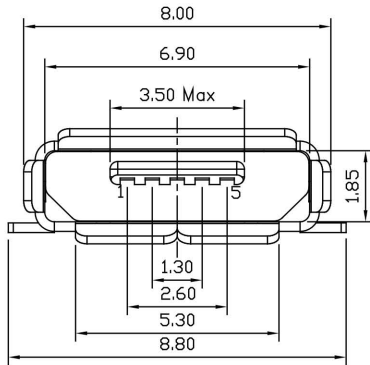
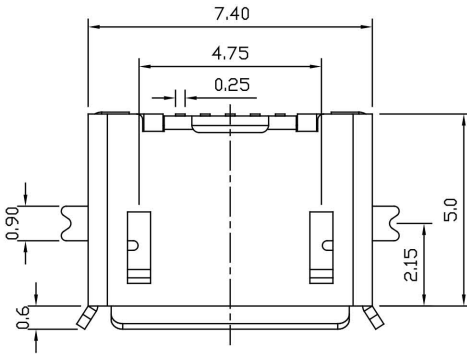


Micro USB Female AB Type SMT 5P



Part No.:MIUSB-F5M-ABB-U

No.	Name	Material	Finish	Q'TY	Remark
1	Housing	LCP+GF30%	Black	1	
2	Pin Term.	Phosphor Bronze T=0.20	Gold Plated	5	Gold: 30u"
3	Shell	Stainless T=0.20	Nickel Plated	1	Ni:80-120u"