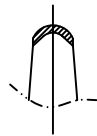
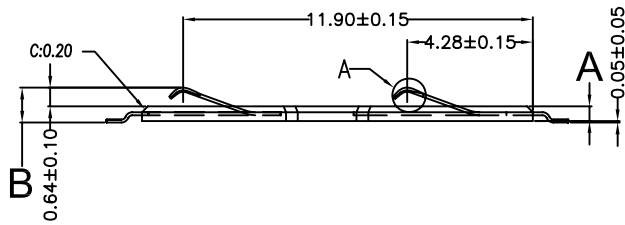
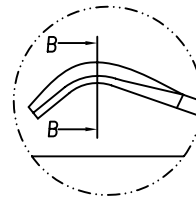


Recommended P.C.B Layout



SECTION B-B
SCALE 5:1



VIEW A(5:1)

NOTES:

*Material

Body: LCP Or PA9T, UL 94V-0 Rated; Color: Black.
Contact: Phosphor Bronze.
Plating: Gold Plating Over Nickel on Contact Area;

*Electrical Specification

Operation Voltage: AC 250V Max
Current Rating: 0.5A Max
Contact Resistance: 100mΩ max.
Insulation Resistance: 1000M Min at 500V AC
Dielectric Withstanding Voltage: 500V AC 1Min

*Environmental

Operating Temperature: 25°C~85°C

PRODUCT NUMBER:

115E-A E X 0-R01
1 2 3 4

1.Type

A:6Pin

2.Contact Plating

E:15u"Gold Plating

3.Height DIM A

A:0.5mm

B:0.7mm

C:0.9mm

4.RoHS

P/N	A	B
115E-AEA0-R01	0.5	1.19
115E-AEB0-R01	0.7	1.39
115E-AEC0-R01	0.9	1.59



ATTEND TECHNOLOGY INC.

www.attend.com.tw

UNLESS OTHERWISE SPECIFIED TOLERANCE	
ANG.	±5°
0.	±0.3
.0	±0.25
.00	±0.20
SCALE:	AS SHOWN
UNIT:	mm
DRAWN	Willis
CHECKED	Angel
APPROVED	Ken
DATE	2009/11/04

DRAWN NAME:

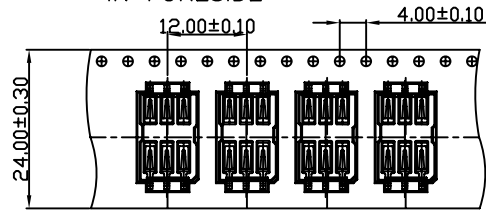
SIM Card Socket Slim Type
6Pin 2.54Pitch SMT

PRODUCT NO. 115E-AEX0-R01

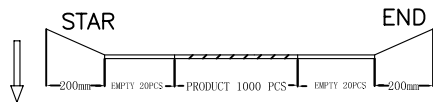
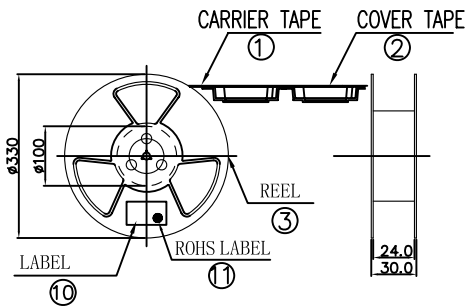
FILE NAME: 115E-AEX0-R01_B_1

REV.	DESCRIPTION	DATE	SIZE	REV.
1			A4	

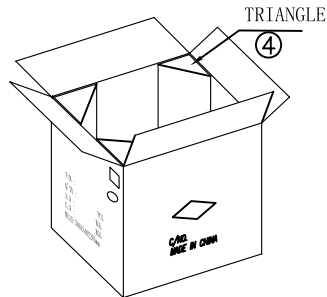
EMPTY 20 POCKET CARRIER
IN FORESIDE



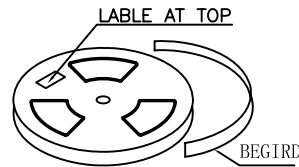
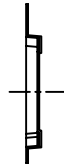
TAPE RUNNING DIRECTION



USER DIRECTION OF FEED

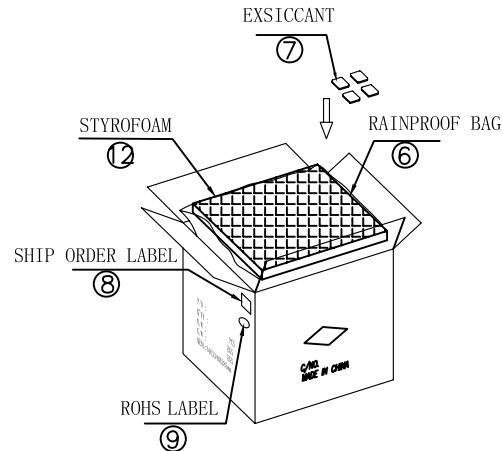


PLACED 1000 POCKET
IN MIDDLESIDE



NOTE:

1. 1000PCS/REEL
2. 10 REEL/CARTON, 10000PCS/CARTON;
3. GROSS WEIGHT:1.10KG, NET WEIGHT:6.85KG



⑫	STYROFOAM	2	PCS	340X340X20
⑪	ROHS LABEL	10	PCS	15.7
⑩	LABEL	10	PCS	
⑨	ROHS LABEL	1	PCS	40.0
⑧	SHIP ORDER LABEL	1	PCS	
⑦	EXSICCANT	4	BAG	
⑥	RAINPROOF BAG	1	PCS	L800*W750*H0.07mm
⑤	EXTERIOR CARTON	1	PCS	K=K,L346*W346*H352mm
④	TRIANGLE	4	PCS	50*50*275mm
③	REEL	10	SET	φ 330*100mm,W=30.0mm
②	COVER TAPE	1000	10 REEL	PCS W=21.3mm,REEL
①	CARRIER TAPE			W=24.0mm,T=0.40mm,REEL
NO.	MATERIAL	QUANTITY		UNIT
				REMARK

UNLESS OTHERWISE
SPECIFIED TOLERANCE

ANG.	±5
0.	±0.3
.0	±0.25
.00	±0.20

SCALE: AS SHOWN UNIT: mm

DRAWN Willis 2009/12/16

CHECKED Angel 2009/12/16

APPROVED Ken 2009/12/16

SIZE A4 REV.

Attend

ATTEND TECHNOLOGY INC.

www.attend.com.tw

DRAWN NAME:
SIM Card Socket Slim Type
6Pin 2.54Pitch SMT

PRODUCT NO. 115E-AEX0-R01

FILE NAME: 115E-AEX0-R01_D_1

REV.	DESCRIPTION	DATE	SIZE	REV.	FILE NAME:
1			A4		115E-AEX0-R01_D_1