

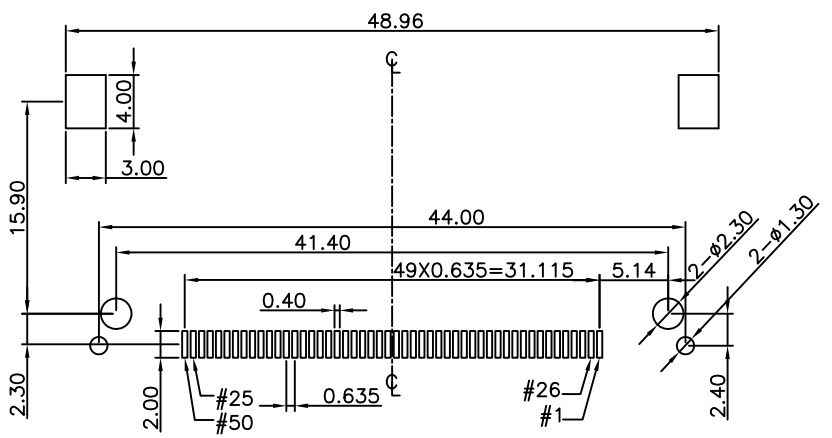
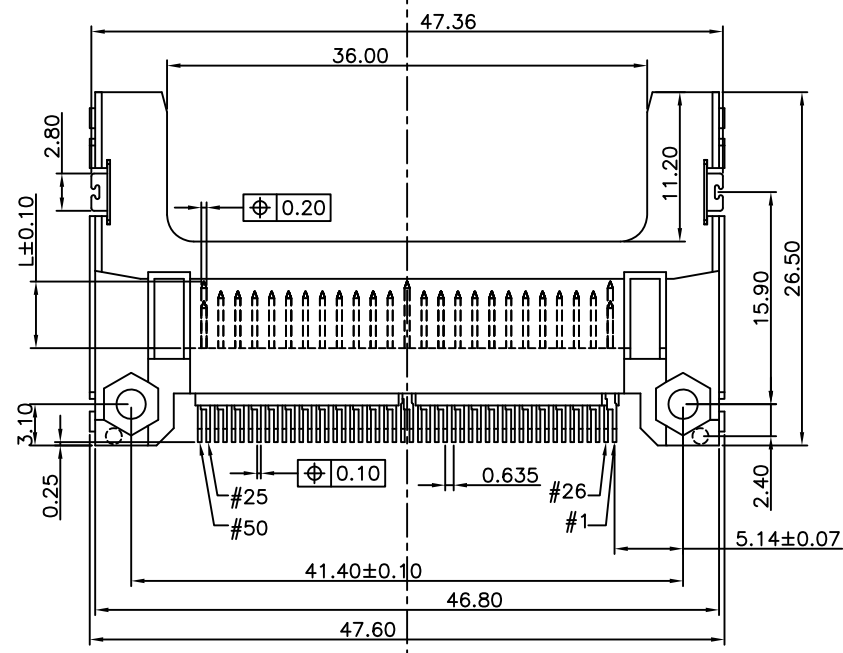
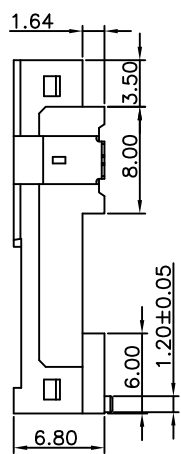
MATERIAL
 Insulator: Thermal Plastic UL94V-0 Color:white
 Contacts: Copper Alloy
 Mount ear: Copper Alloy;
 Tin/Lead Free(Matten Tin) Plated Overall

CONTACT PLATING
 Contact Number: 50Pin
 Underplated: 50μ" Nickel
 Contact area: 3μ"~15μ" Selective gold
 Solder tails area:100μ" Tin/Lead Free(Matte Tin)
 Rated Voltage: 35V/AC Max.

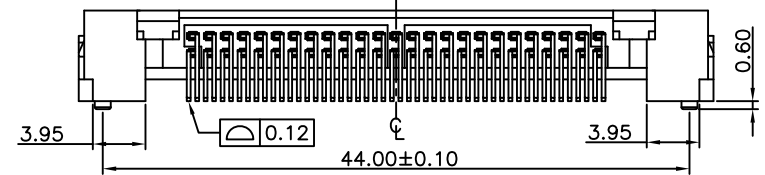
101A-I X A 0-R
 1 2 3 4

1.Type 3.Stand Off
 T:Top Mount A:1.64mm

2.Contact Plating 4.ROHS
 A:15μ"Gold Plating
 B:3μ" Gold Plating



RECOMMENDED P.C.B LAYOUT
 TOLERANCES: ±0.05mm



POWER	5.00mm	1,13,38,50
GENERAL	4.25mm	all other pins
DETECT	3.50mm	25,26
Pin type	Interface	Pin No.
	Dim. L	

UNLESS OTHERWISE SPECIFIED TOLERANCE	
ANG.	±5°
0.	±
.0	±0.25
.00	±0.20

Attend
 ATTEND TECHNOLOGY INC.
 www.attend.com.tw

SCALE:	AS SHOWN	UNIT:	mm
DRAWN	Willis	DATE	2007/4/9
CHECKED	/ /		
APPROVED	/ /		

DRAWN NAME:	CF Type I Socket
	Top Mount,s/o 1.64mm
PRODUCT NO.	101A-TXA0-R
FILE NAME:	101A-TXA0-R

REV.	DESCRIPTION	DATE	SIZE	REV.
1			A4	