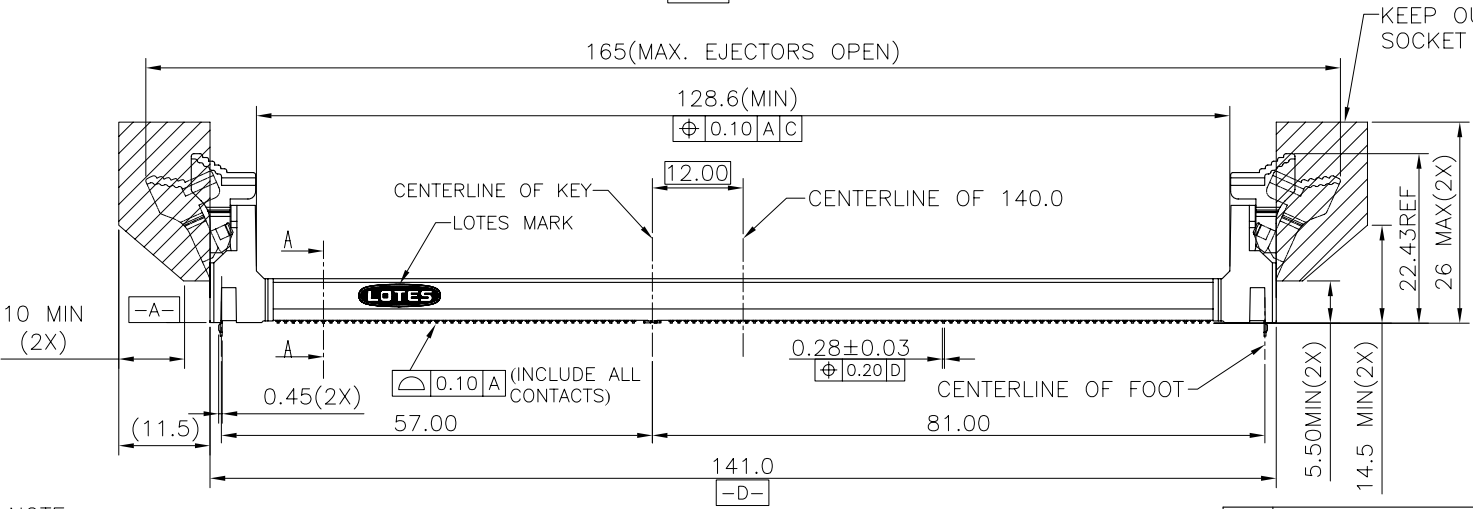
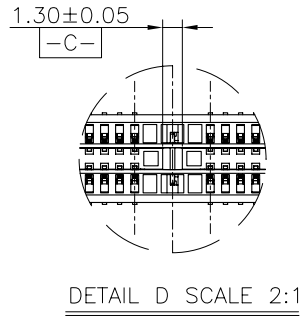
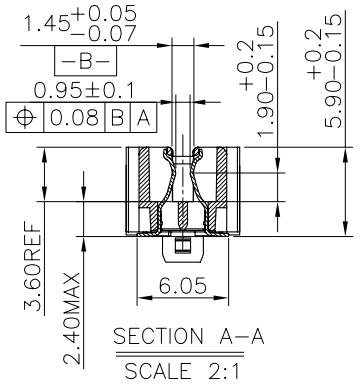


REV.	ECN NO./DESCRIPTION	DATE
B	R090573	01/15'10
C	R090573	01/25'10
D	R090573	01/26'10

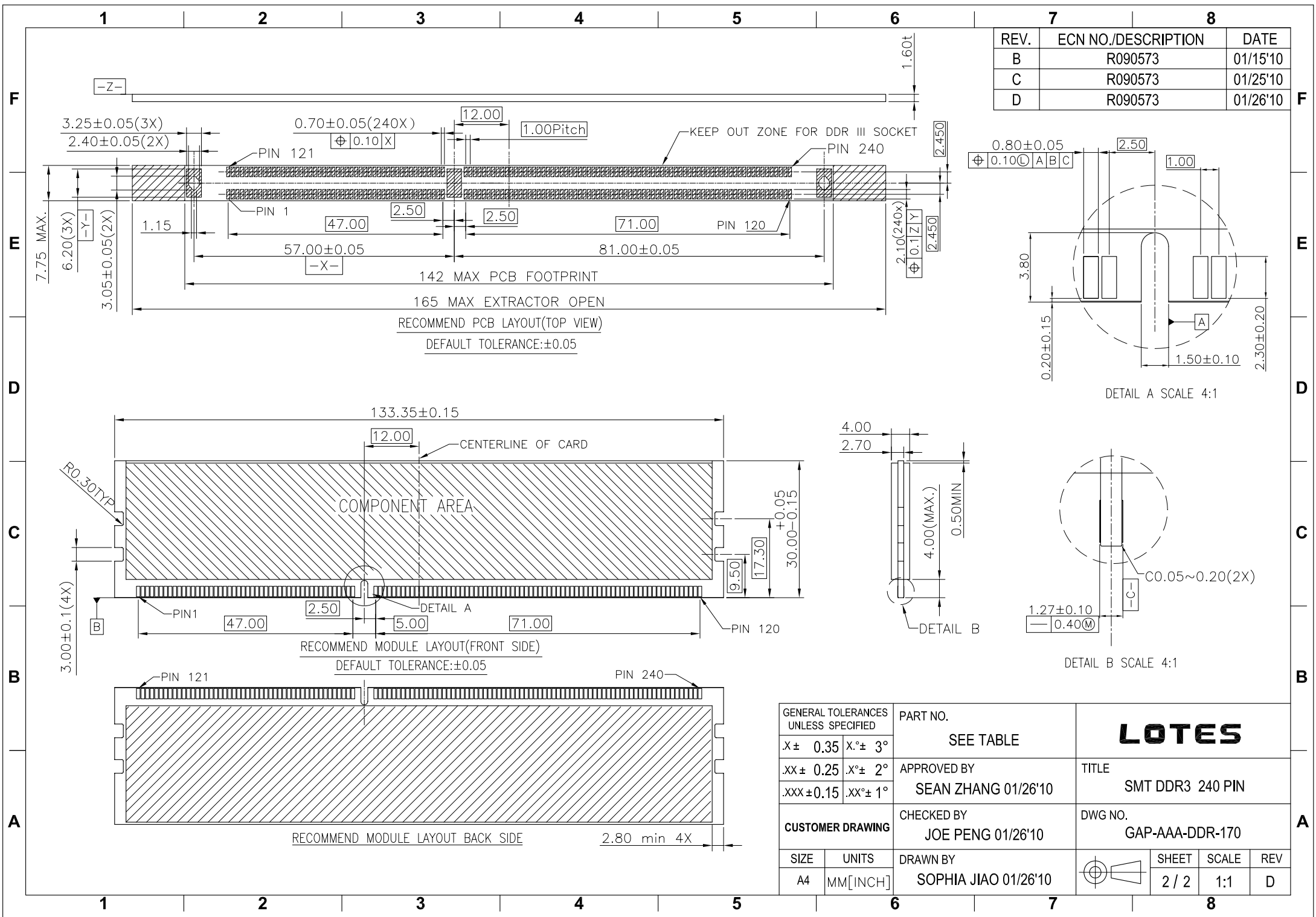


NOTE:  
 1. HOUSING: HIGH TEMPERATURE THERMOPLASTIC, EXTRACTOR: HIGH TEMPERATURE THERMOPLASTIC, COLOR: SEE TABLE.  
 CONTACT: COPPER ALLOY, (FINISHED: UNDER PLATING Ni 50u" MIN. SOLDER AREA PLATING MATTE TIN 80~150u", CONTACT AREA PLATING SPEC. SEE TABLE)  
 HOOK: COPPER ALLOY, (FINISHED: UNDER PLATING Ni 50u" MIN. SOLDER AREA PLATING MATTE TIN 80~150u",  
 2. MODULE LAYOUT SHOULD MEET JEDEC SPEC.  
 3. REFER TO PRODUCT SPEC. FOR PERFORMANCE SPEC.  
 4. AAA-DDR-170-K\*\* RoHS COMPLIANT;  
 AAA-DDR-170-P\*\* HF COMPLIANT.



NO.	PART NO.	DESCRIPTION
4	AAA-DDR-170-K06	Au 30u"MIN;HOUSING_BLACK;EJECTOR_WHITE
3	AAA-DDR-170-K05	Au 20u"MIN;HOUSING_BLACK;EJECTOR_WHITE
2	AAA-DDR-170-P02	Au 30u"MIN;HOUSING_BLACK;EJECTOR_BLACK
1	AAA-DDR-170-P01	Au 20u"MIN;HOUSING_BLACK;EJECTOR_BLACK

GENERAL TOLERANCES UNLESS SPECIFIED		PART NO.	<b>LOTES</b>
.X ± 0.35	X.° ± 3°	SEE TABLE	
.XX ± 0.25	X.° ± 2°	APPROVED BY	TITLE
.XXX ± 0.15	.XX.° ± 1°	SEAN ZHANG 01/2610	SMT DDR3 240 PIN
CUSTOMER DRAWING		CHECKED BY	DWG NO.
		JOE PENG 01/26'10	GAP-AAA-DDR-170
SIZE	UNITS	DRAWN BY	SHEET
A4	MM [INCH]	SOPHIA JIAO 01/26'10	1 / 2
			SCALE
			1:1
			REV
			D



REV.	ECN NO./DESCRIPTION	DATE
B	R090573	01/15'10
C	R090573	01/25'10
D	R090573	01/26'10

GENERAL TOLERANCES UNLESS SPECIFIED		PART NO.	<b>LOTES</b>			
.X± 0.35	X.°± 3°	SEE TABLE				
.XX± 0.25	.X.°± 2°	APPROVED BY	TITLE			
.XXX±0.15	.xx.°± 1°	SEAN ZHANG 01/26'10	SMT DDR3 240 PIN			
CUSTOMER DRAWING		CHECKED BY	DWG NO.			
		JOE PENG 01/26'10	GAP-AAA-DDR-170			
SIZE	UNITS	DRAWN BY		SHEET	SCALE	REV
A4	MM[INCH]	SOPHIA JIAO 01/26'10		2 / 2	1:1	D