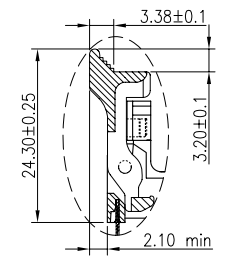
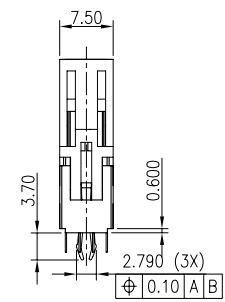
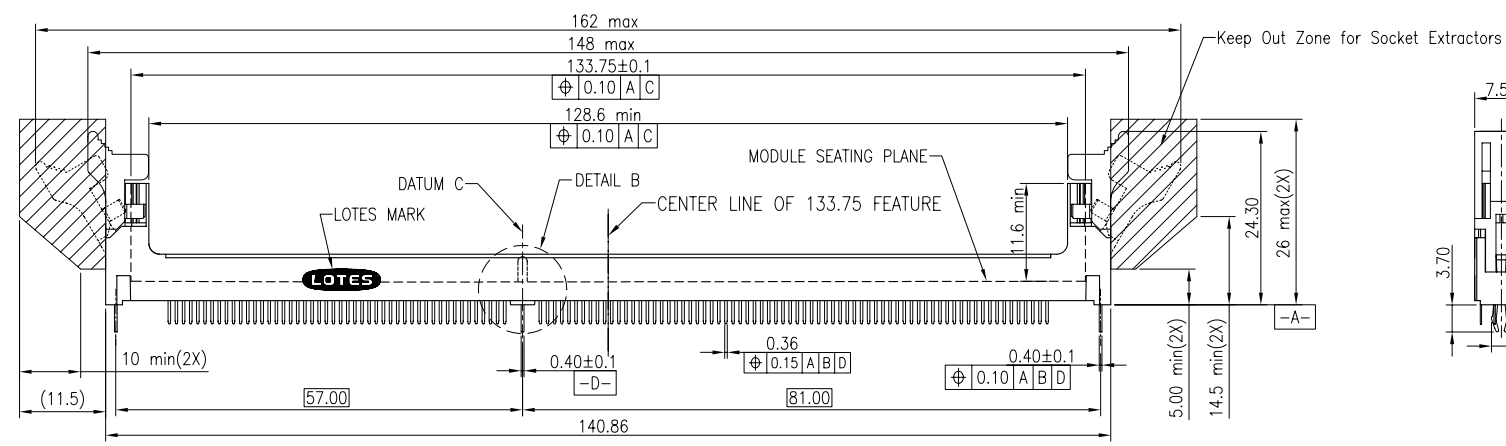
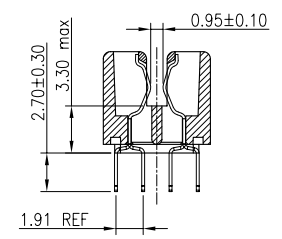
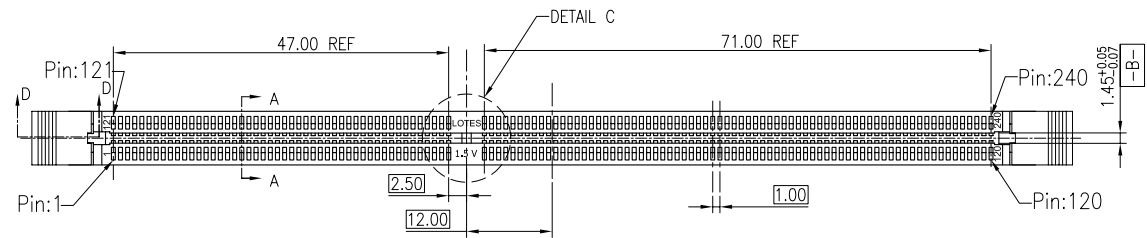


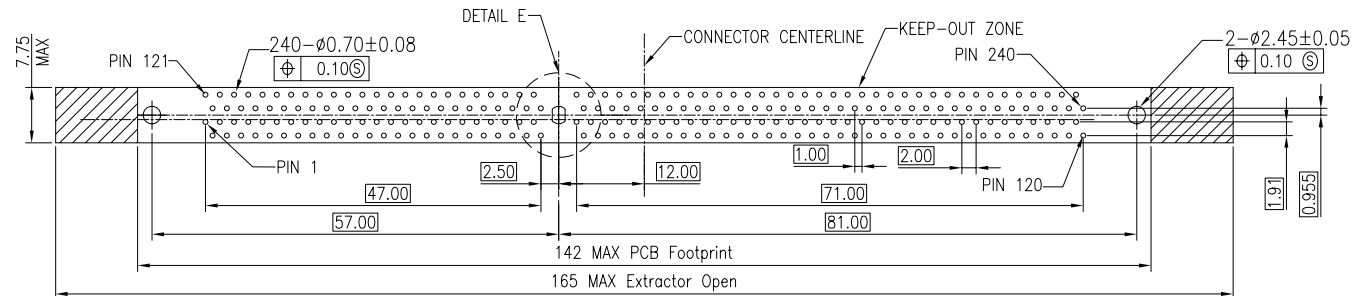
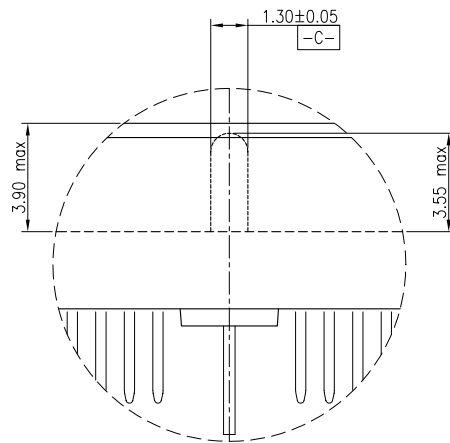
REV.	ECN NO.	DATE
1	N090100	03/03'09
1A	N090100	03/30'09



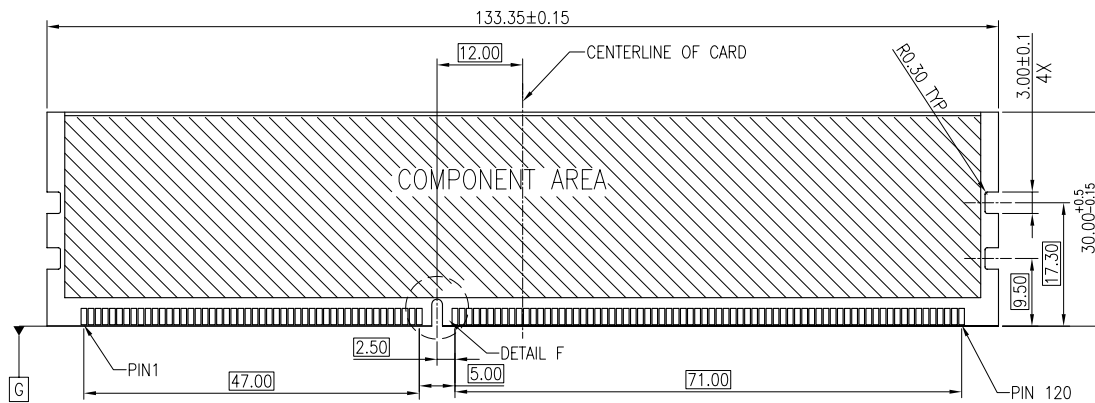
- NOTES:
- MATERIAL: HOUSING: NYLON
EJECTOR: LOW TEMPERATURE NYLON
CONTACT: BRASS
FORKLOCK: STEEL ALLOY
 - FINISH: CONTACT: 50U" MIN. NICKEL UNDER PLATED
GOLD PLATED ON CONTACT AREA (DETAILS REFER TO TABLE)
100U" MIN. MATTE TIN PLATED ON SOLDER AREA
 - RECOMMENDED MODULE LAYOUT SHOULD BE MO-269 FROM JEDEC.
 - AAA-DDR-142-K**:RoHS Compliant
AAA-DDR-142-P**:HF Compliant

GENERAL TOLERANCES UNLESS SPECIFIED		PART NO. SEE TABLE	LOTES		
.X ± 0.35	X.* ± 3'				
.XX ± 0.25	.X* ± 2'	APPROVED BY Joe_Peng	TITLE DDR III 240 PIN CONNECTOR		
.XXX ± 0.15	.XX* ± 1.0'	CHECKED BY Joe_Peng	DWG NO. GAP-AAA-DDR-142		
SIZE	UNITS	DRAWN BY	SHEET	SCALE	REV
A4	MM [INCH]	Grig			

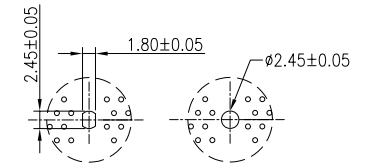
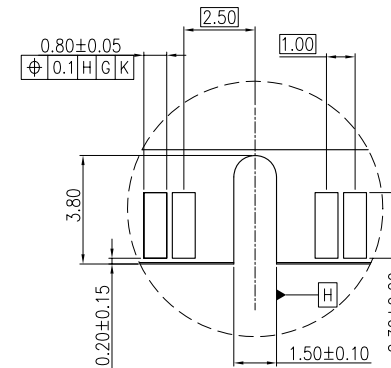
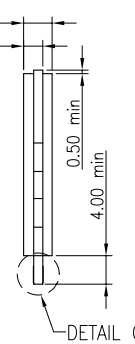
REV.	ECN NO.	DATE
1	N090100	03/03'09
1A	N090100	03/30'09



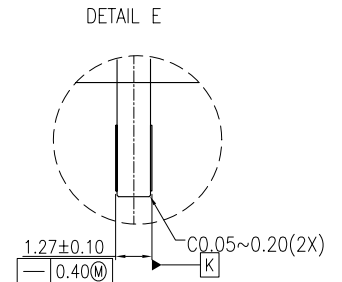
RECOMMENDED PCB LAYOUT(CONNECTOR SIDE)



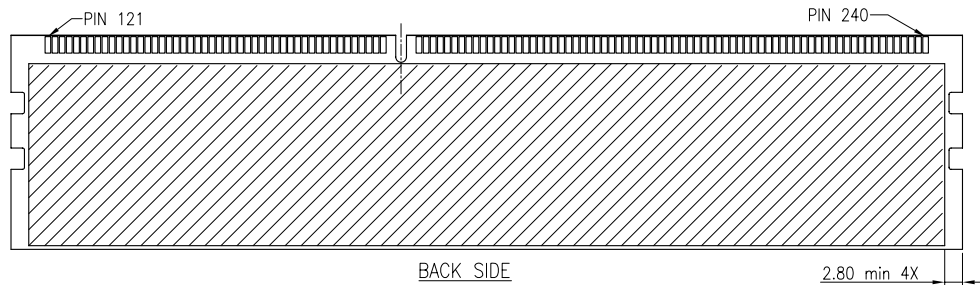
RECOMMENDED MODULE LAYOUT(FRONT SIDE)
MODULE LAYOUT REFER TO JEDEC MO-269



OPTION: 1 OPTION: 2



DETAIL G



BACK SIDE

GENERAL TOLERANCES UNLESS SPECIFIED		PART NO.	LOTES		
.X± 0.35	X.*±3'	SEE TABLE	TITLE DDR III 240 PIN CONNECTOR		
.XX±0.25	.X*±2'	APPROVED BY Joe_Peng	DWG NO. GAP-AAA-DDR-142		
.XXX ±0.15	.XX*± 1.0'	CHECKED BY Joe_Peng	DRAWN BY Grig		
CUSTOMER DRAWING		SHEET 2 / 3		SCALE 1:1	REV 1A

TABLE:

P/N	CONTACT FINISH
AAA-DDR-142-K01	PA66_Blue 297C,Brass_G/F,White Ejector
AAA-DDR-142-K02	PA66_Orange 1485C,Brass_G/F,White Ejector
AAA-DDR-142-K03	PA66_Gray 428C,Brass_G/F,White Ejector
AAA-DDR-142-K04	PA66_White,Brass_G/F,White Ejector
AAA-DDR-142-K05	PA66_Purple 2726U,Brass_G/F,White Ejector
AAA-DDR-142-K06	PA66_Fluorescence Yellow803C,Brass_G/F,White Ejector
AAA-DDR-142-K07	PA66_Red 021C,Brass_30u"Au,White Ejector
AAA-DDR-142-K08	PA66_Black,Brass_G/F,White Ejector
AAA-DDR-142-K09	PA66_Black,Brass_30u"Au,White Ejector
AAA-DDR-142-K10	PA66_Red 021C,Brass_G/F,White Ejector
AAA-DDR-142-K11	PA66_Blue287C,Brass_15u"Au,White Ejector
AAA-DDR-142-K12	PA66_Red701C,Brass_G/F,White Ejector
AAA-DDR-142-P12	PA66_Red701C,Brass_G/F,White Ejector,HF
AAA-DDR-142-K13	PA66_White,Brass_15u"Au,White Ejector
AAA-DDR-142-K14	PA66_Blue284C,Brass_G/F,White Ejector
AAA-DDR-142-P14	PA66_Blue284C,Brass_G/F,White Ejector,HF
AAA-DDR-142-K15	PA66_Red190C,Brass_G/F,White Ejector
AAA-DDR-142-P15	PA66_Red190C,Brass_G/F,White Ejector,HF
AAA-DDR-142-K16	PA66_Green368C,Brass_G/F,White Ejector
AAA-DDR-142-P16	PA66_Green368C,Brass_G/F,White Ejector,HF
AAA-DDR-142-K18	PA66_Blue287C,Brass_G/F,White Ejector
AAA-DDR-142-K19	PA66_Yellow 012C,Brass_G/F,White Ejector
AAA-DDR-142-K20	PA66_Green368C,Brass_G/F,368C Ejector
AAA-DDR-142-K21	PA66_Yellow012C,Brass_G/F,012C Ejector
AAA-DDR-142-K22	PA66_Fluorescence Green381C,Brass_G/F,White Ejector
AAA-DDR-142-P08	PA66_Black,Brass_G/F,White Ejector HF
AAA-DDR-142-K23	PA66_Gray7540C,Brass_G/F,White Ejector
AAA-DDR-142-K24	PA66_Red032C,Brass_G/F,White Ejector

REV.	ECN NO.	DATE
1	N090100	03/03'09
1A	N090100	03/30'09

P/N	CONTACT FINISH
AAA-DDR-142-K25	PA66_Fluorescence Orange 804C2X,Brass_G/F Fluorescence 804C2X Ejector
AAA-DDR-142-K26	PA66_Green353U,Brass_15u"Au,White Ejector
AAA-DDR-142-K27	PA66_Blue2935U,Brass_G/F,White Ejector
AAA-DDR-142-K28	PA66_Green3258C,Brass_G/F,White Ejector
AAA-DDR-142-K29	PA66_Black,Brass_30u"Au,Black Ejector
AAA-DDR-142-K30	PA66_Red 021C,Brass_15u"Au,white Ejector
AAA-DDR-142-K31	PA66_Black,Brass_G/F,Black Ejector
AAA-DDR-142-K32	PA66_Red 1795C,Brass_G/F,Black Ejector
AAA-DDR-142-K33	PA66_Yellow123U,Brass_G/F,123U Ejector
AAA-DDR-142-K34	PA66_Yellow123C,Brass_G/F,White Ejector
AAA-DDR-142-K35	HTN_Black,Brass_G/F,White Ejector
AAA-DDR-142-K37	PA66_White,Brass_15u"Au,Black Ejector
AAA-DDR-142-K44	PA66_White,Brass_G/F,Black Ejector
AAA-DDR-142-K38	PA66_Fluorescence Green 381C,Brass_G/F Fluorescence Green 381C Ejector
AAA-DDR-142-K17	PA66_Black,Brass_15u"Au,white Ejector
AAA-DDR-142-K39	PA66_Fluorescence Yellow 803C,Brass_15u"Au,white Ejector
AAA-DDR-142-K40	PA66_Red 187C,Brass_G/F,white Ejector
AAA-DDR-142-K41	PA66_Gray 9C,Brass_G/F,white Ejector
AAA-DDR-142-K42	PA66_Blue 287C,Brass_G/F,Blue287C Ejector
AAA-DDR-142-K43	PA66_Blue 293C,Brass_G/F,Blue293C Ejector
AAA-DDR-142-K46	PA66_Blue 298C,Brass_15u",White Ejector
AAA-DDR-142-K47	PA66_Black 7547C,Brass_15u",White Ejector

GENERAL TOLERANCES UNLESS SPECIFIED		PART NO. SEE TABLE	LOTES			
.X± 0.35	X.*±3'					
.XX±0.25	.X*±2'	APPROVED BY Joe_Peng	TITLE DDR III 240 PIN CONNECTOR			
.XXX ±0.15	.XX*±1.0'	CHECKED BY Joe_Peng	DWG NO. GAP-AAA-DDR-142			
CUSTOMER DRAWING		DRAWN BY Grig		SHEET 3 / 3	SCALE 1:1	REV 1A
SIZE A4	UNITS MM[INCH]					