

Board To Board Male 0.635mm H=4.0mm

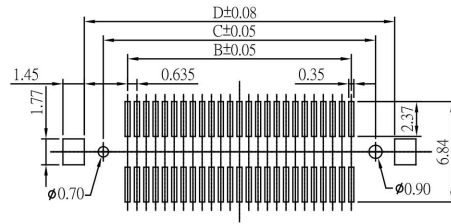
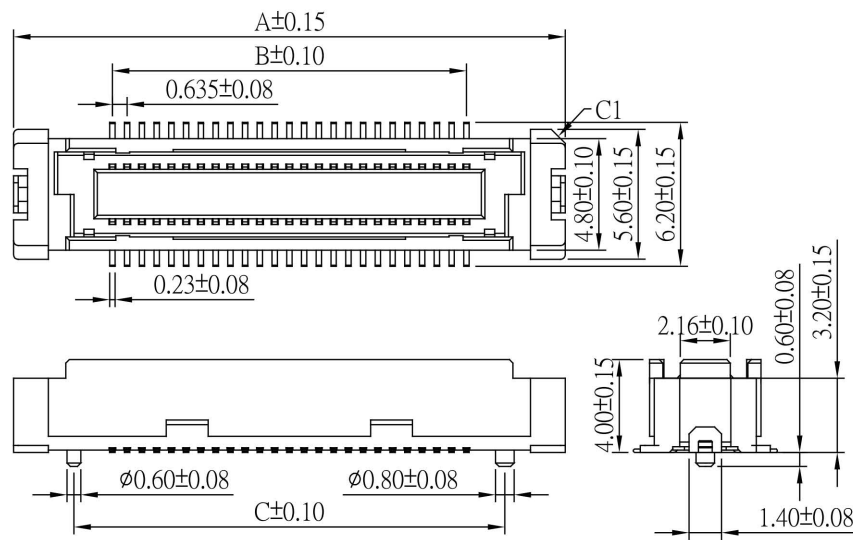
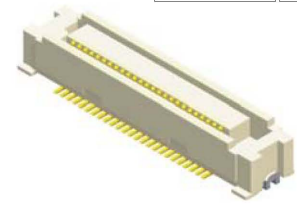


Specifications

Current Rate:0.5 AMP
 Insulation Resistance:1000MΩ Min.
 Contact Resistance:40mΩ Max.
 Dielectric Voltage:100V AC for one minute
 Operation Temperature:-25°C to +85°C

Material

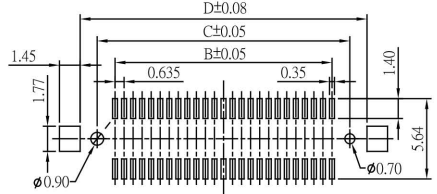
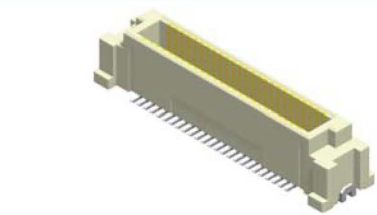
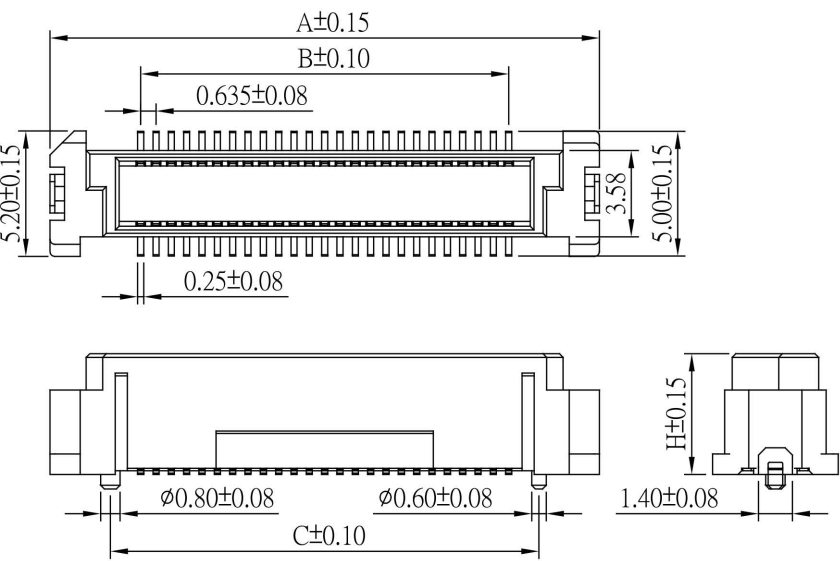
Insulator:Polyester,UL 94V-0
 ©Standard:Nylon 6T
 Terminal:Copper Alloy
 Plating:Gold Plated



No. of Contacts	Dim. A	Dim. B	Dim. C	Dim. D
20	14.21	5.70	9.01	11.61
30	17.39	8.88	12.19	14.79
40	20.57	12.06	15.37	17.97
50	23.75	15.24	18.55	21.15

Part No.:B06MA40-XX-U

Board To Board Female 0.635mm H=4.0/5.0mm



No. of Contacts	Dim. A	Dim. B	Dim. C	Dim. D
20	13.21	5.70	8.21	10.96
30	16.39	8.88	11.39	14.14
40	19.57	12.06	14.57	17.32
50	22.75	15.24	17.75	20.15

Part No.:B06FA 40/50-XX-U

ORDER INFORMATION

